

## Two-inch Pneumatic Valve Actuator



Powermite MT Series  
Two-inch Pneumatic Valve Actuator.

### Description

The Powermite Two-inch Pneumatic Valve Actuator is designed for use with the 1/2 to 1-inch Powermite MT Series Terminal Unit Valves with a 7/32-inch (5.5 mm) stroke.

### Features

- Low profile
- Freely rotates to aid tubing installation
- Easy installation and removal
- All metal housing
- Orderable as an actuator only or as a complete valve/actuator assembly

### Applications

The Powermite Two-inch Pneumatic Valve Actuator is designed to be used on 1/2 to 1-inch Powermite Terminal Unit Valves in liquid and steam service applications.

The pneumatic actuator relies on the spring inside the bonnet assembly of the MT Series valve bodies to return to the “normal” position.

#### Recommendation:

Use only for MT Series valve bodies, 1/2 to 1-inch only.

A-145

Valves

## 2" Pneumatic Actuator Specifications

Effective Diaphragm Area .....	3.4 in. <sup>2</sup> (22 cm <sup>2</sup> )
Diaphragm Material .....	Silicone
Nominal Spring Range .....	Valve Dependent
Span .....	5 psi (34 kPa)
Nominal Stroke .....	7/32" (5.5 mm)
Max. Diaphragm Pressure .....	35 psig (241 kPa)
Air Connection .....	1/8" NPT Barbed Fitting for 1/4" (6 mm) OD Polyethylene Tubing
<b>Ambient Temperature</b>	
Transportation .....	-40 to +180°F (-40 to +82°C)
<b>Mounting Location</b> .....	NEMA 1 (Interior Only)

## 2" Pneumatic Actuator Product Ordering

Description	Part No.	Actuator Prefix Code
3-8 psig (21-55 kPa)	599-01088	257
8-13 psig (55-90 kPa)	599-01088	258
10-15 psig (69-103 kPa)	599-01088	256

### Ordering Note:

Spring is inside bonnet assembly of valve body. Use the Valve Selection Charts at the front of this section on pages A-25 and A-27 to determine spring range.

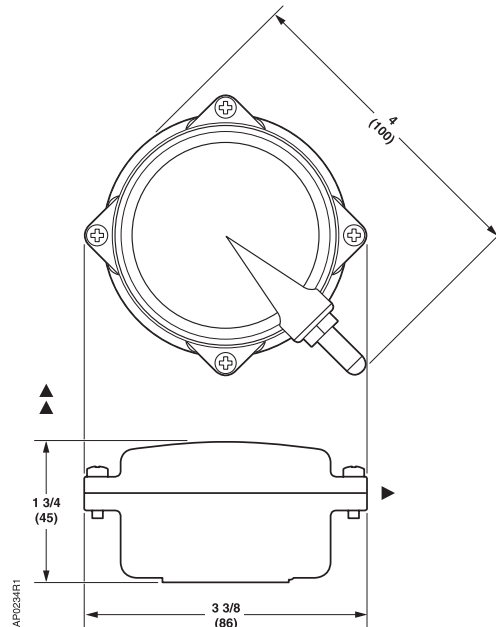
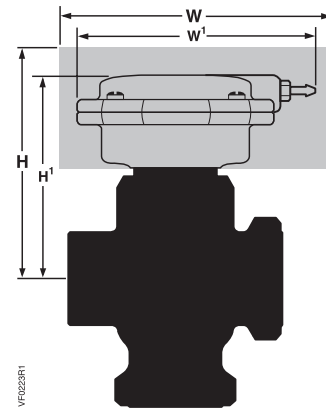
## Dimensions

A-146

Valves

Valve Size in.	Center Line to Top of Actuator	Service Height	Actual Width	Service Width
	H <sup>1</sup>	H	W <sup>1</sup>	W
1/2" (15 mm)	3-1/16" (78 mm)	11" (280 mm)	4" (100 mm)	10" (250 mm)
3/4" (20 mm)	3-1/16" (78 mm)	11" (280 mm)	4" (100 mm)	10" (250 mm)
1" (25 mm)	3-5/16" (84 mm)	11-1/4" (285 mm)	4" (100 mm)	10" (250 mm)

Service height and width are the recommended dimensions to allow access to the product.



Dimensions shown in inches (mm).